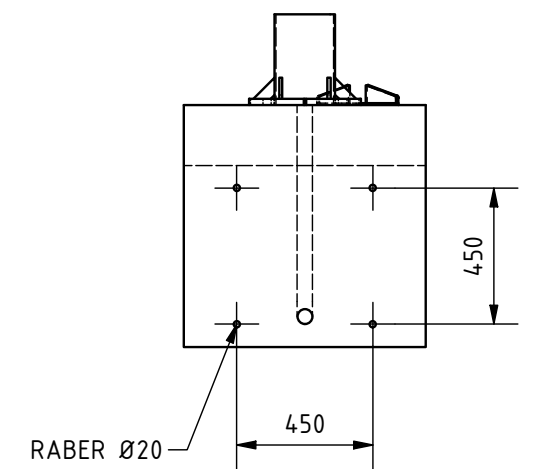
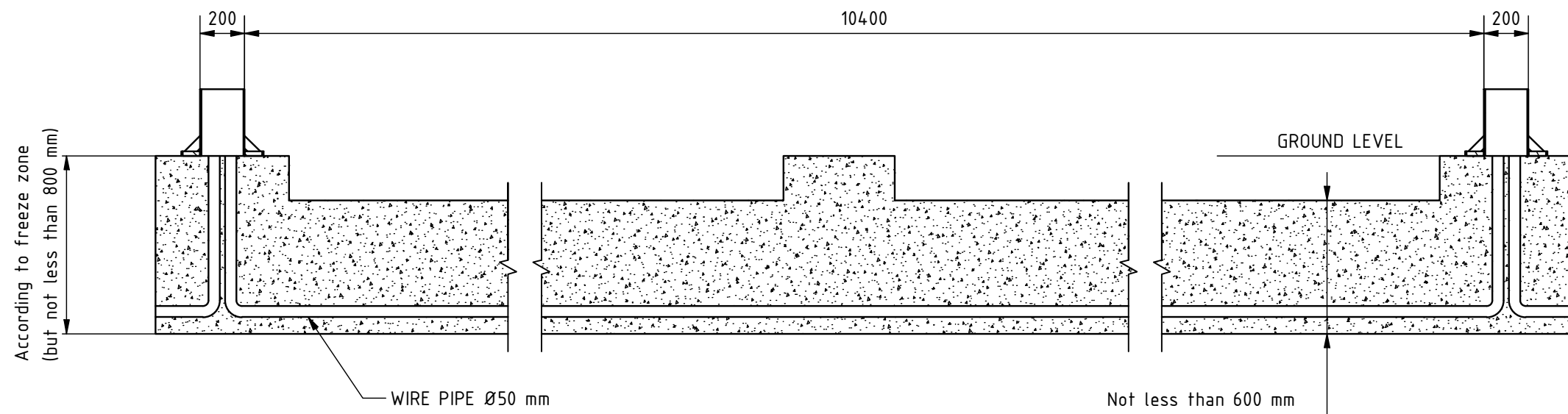
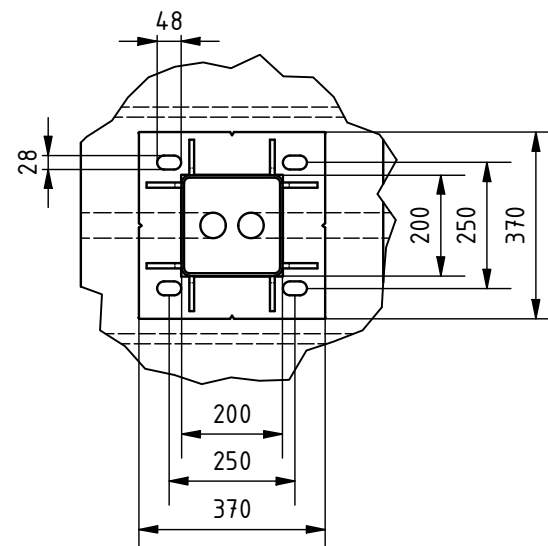


A-A ( 1 : 25 )



B ( 1 : 15 )



**Remarks:**

1. All dimensions in mm.
2. Prepare foundation with concrete class C25. Concrete must be reinforced with reinforcement bars or fibres and flat on top.
3. For gate installation put gateposts baskets inside concrete or use anchors M24x400 or longer.
4. Anchors must be over concrete surface between 70 - 100 mm.
5. Placing gate on or in foundation depending on detailed gate size - to be chosen on installation site.
6. **Ground Catcher should be mounted after gate installation.**
7. This is suggested foundation plan. Dimensions, reinforcement, anchoring.

	Remarks			
	GROUND CATCHER			
Designed by K. Rączkowski	Scale 1 : 25	Format A3	Date 29.03.2022	Sheet numer 1/1
Edited by	Height ---	Width ---	Material ---	Mass ---
Number 03005.0000	Drawing Valhalla 2W 10000 Foundation			Rev. B