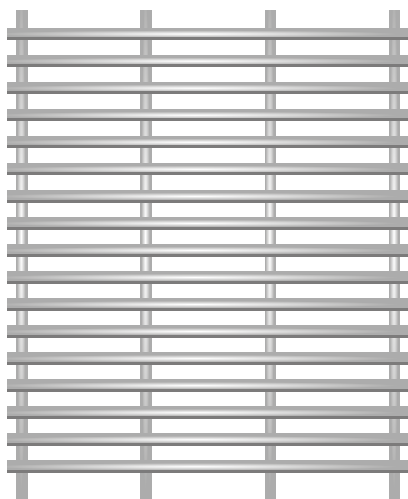




PRISONS • HIGH SECURITY HOSPITALS •
MILITARY BASE • NUCLEAR POWER STA-
TIONS • BORDER FENCING • LOGISTICS
INFRASTRUCTURE • TRANSPORT

PANEL FENCING

HIGH SECURITY PANEL SYSTEM 358 PRISON MESH



ADVANTAGES

High density weld configuration with a mesh size of 12,7 x 76,2 mm provides a finger and toe proof, anti-climb barrier with a high delay factor.

Panel heights up to 6 meter. Different panel types and specifications (see Technical Description)

Weld strength is minimum of 70 % of wire strength, prior to welding.

Extremely difficult to cut using conventional bolt or wire cutters.

Despite its formidable density and strength, the 358 Prison Mesh doesn't compromise on visibility. This feature is crucial for areas where CCTV camera systems are integrated ensuring optimal perimeter surveillance.

COMPLETE SYSTEM

In combination with the Halsang gate range of Speed folding gates, Sliding gates, Swing gates and Turnstiles which can be equipped with the 358 high security mesh infills, you have a total solution for the high security sites perimeter protection and access control.



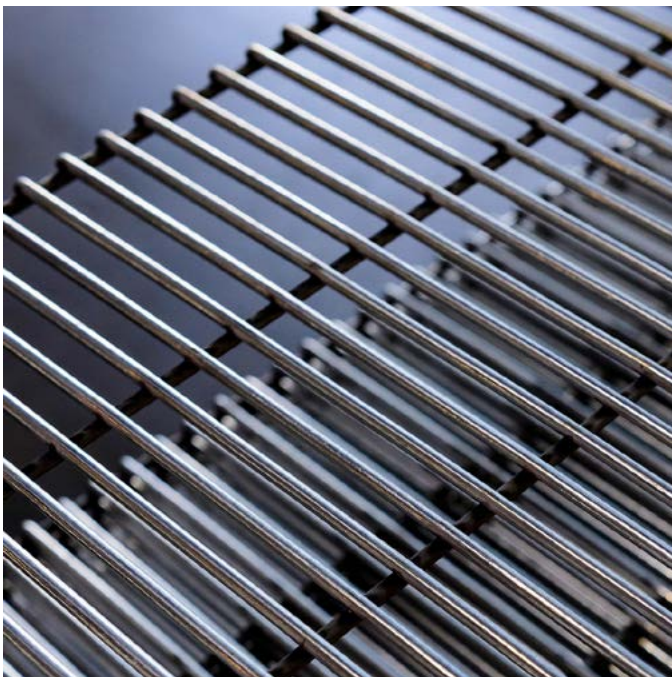
PANELS – COATING

COATING OPTIONS ON PANELS

- Pre-Galvanized + RAL Powder coating
- Zinc / Aluminum “Zinc 95 % / 5 % Aluminum”
- Zinc / Aluminum “Zinc 95 % / 5 % Aluminum”
+ RAL Powder coating

STANDARD RAL-COLORS

- RAL 6005 Moss Green
- RAL 9005 Jet Black
- RAL 7016 Anthracite Grey



POSTS

Standard post profiles and heights

- 80x60x3 / 2 600 mm “Fence H:2 000 mm”
- 80x60x3 / 3 000 mm “Fence H:2 400 mm”
- 80x60x3 / 3 800 mm “Fence H:3 000 mm”
- 120x60x3 / 4 800 mm “Fence H:4 000 mm”
- 120x80x5 / 5 050 mm with welded
base plate “Fence H:5 000 mm”
- Corner post profiles 80x80x3 mm and 120x120x3 mm

HIGH SECURITY PANEL POSTS CONNECTION OPTIONS,

- Cover plate 60x5mm “Post profile 80x60mm and 120x60mm”
- Spider fixators “Post profile 120x80mm”

Panel connection either with M8 straight thru bolts + brake off nut or M8 one way screws

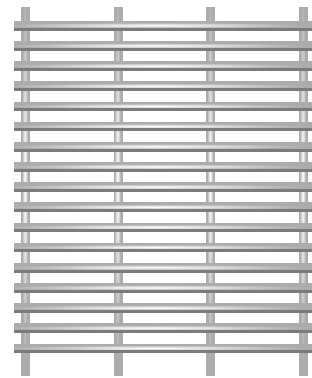
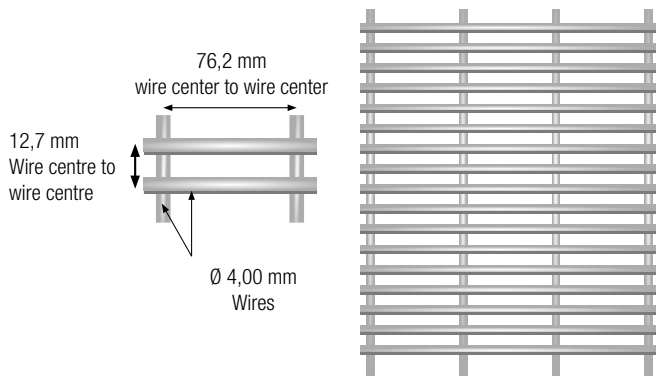
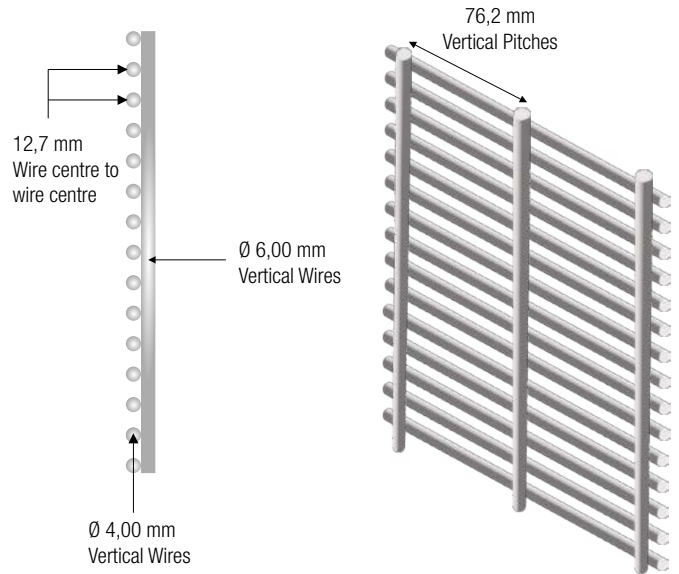
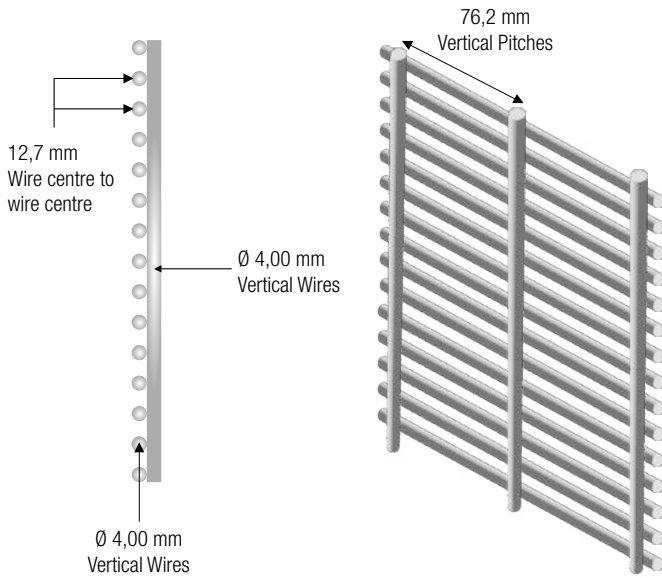
Posts and cover plates in Hot Dip Galvanized or Hot Dip Galvanized + RAL-Powder coating

STANDARD RAL-COLORS

- RAL 6005 Moss Green
- RAL 9005 Jet Black
- RAL 7016 Anthracite Grey

TECHNICAL DESCRIPTION

Nominal wire thickness and panel sizes



358 High security panel 4,00 / 4,00

Vertical and horizontal wires Ø 4,00 mm

Mesh size 12,7 x 76,2 mm

Standard panel heights 2 000 mm, 2 400 mm, 3 000 mm,
4 000 mm, 5 000 mm, 6 000 mm

Width 2 515 mm

358 High security panel 6,00 / 4,00

Increased levels of rigidity and strength over conventional 358 "4/4" panels with vertical 6,00 mm wires

Vertical wires Ø 6,00 mm

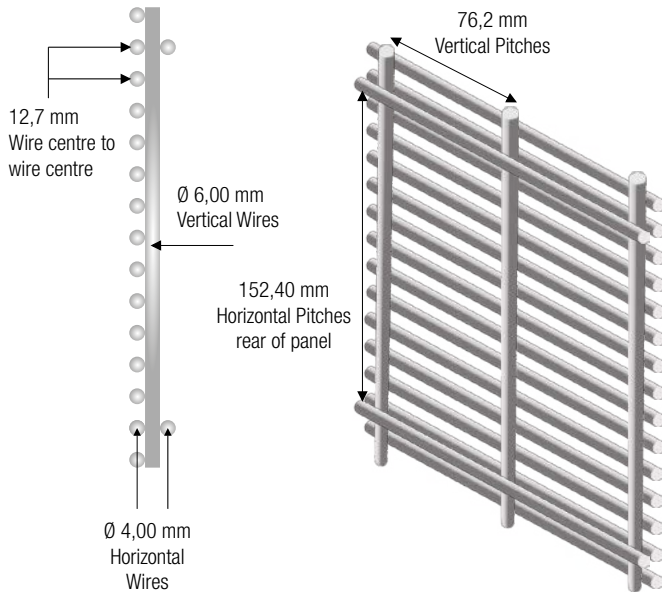
Horizontal wires Ø 4,00 mm

Mesh size 12,7 x 76,2 mm

Standard panel heights 2 000 mm, 2 400 mm, 3 000 mm,
4 000 mm, 5 000 mm, 6 000 mm

Width 2 515 mm

PANEL FENCING • HIGH SECURITY PANEL SYSTEM



358 High security panel "DUO"

Increased levels of rigidity and strength over conventional 358 "4/4" panels with vertical 6,00 mm wires and additional 4,00 mm wires on back of the panel

Vertical wires	Ø 6,00 mm
Horizontal wires	Ø 4,00 mm
Horizontal wires on the back of the panel	Ø 4,00 mm (spaced at 152,4 mm intervals)
Mesh size	12,7 x 76,2mm
Standard panel heights	2 000 mm, 2 400 mm, 3 000 mm, 4 000 mm, 5 000 mm, 6 000 mm
Width	2 515 mm

OPTIONS

- Other panel heights and widths available on request
- Other post profiles and heights on request
- Other RAL colors available on request
- Post with welded bended arm or Y-Arm "for barb wires or Concertina razor wire"
- Post with bolted bended arm or Y-Arm "for barb wires or Concertina razor wire"
- Posts with welded base plates
- Special design / Post section on request
- U-Profile on top of the panel
- Double U-Profiles for connecting panels together
- L-Profile for panel connection to the foundation